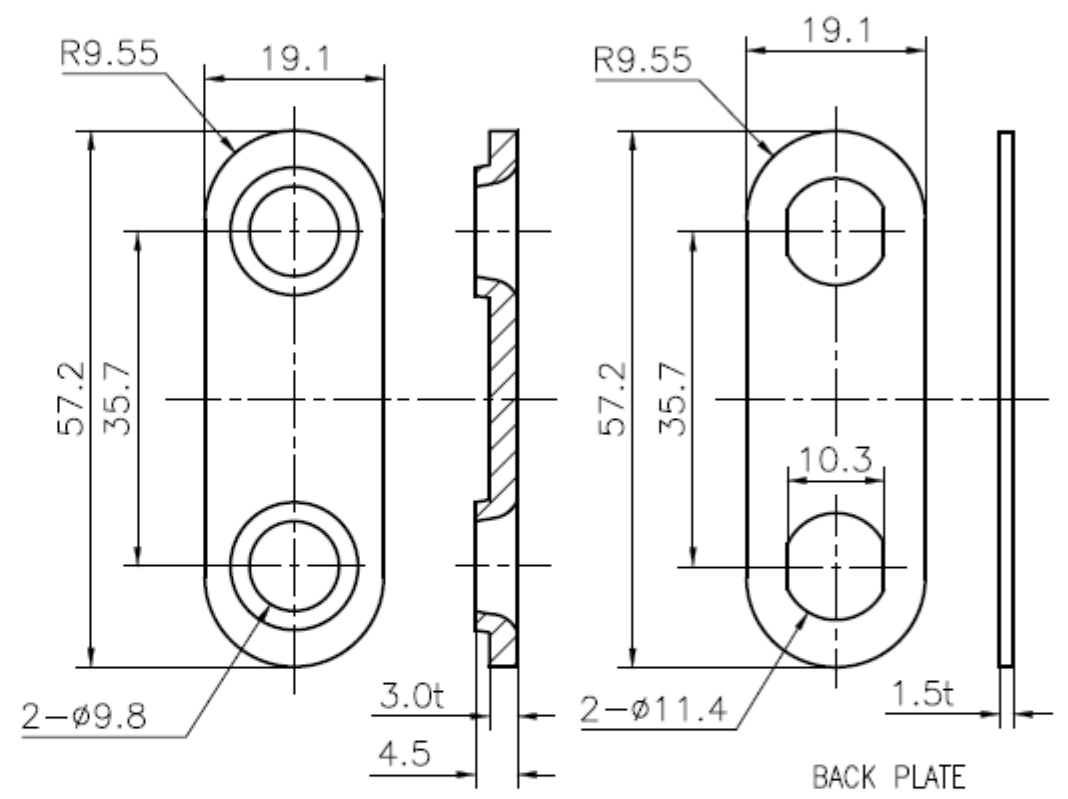
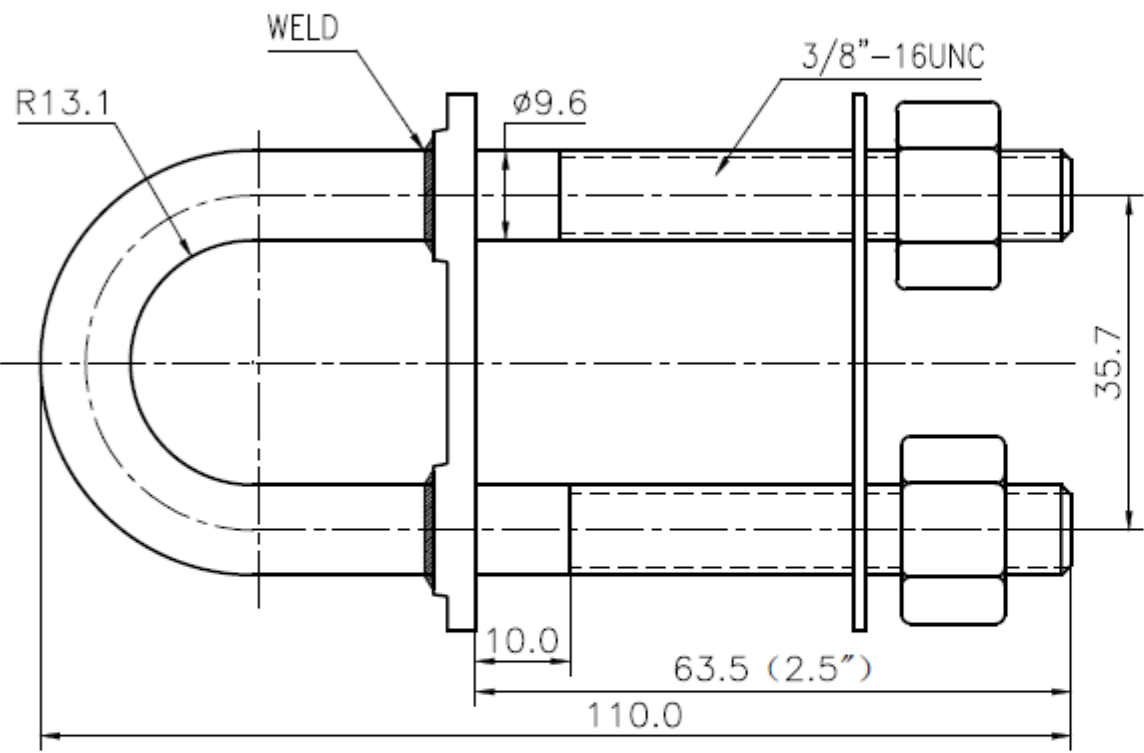


REVISIONS				
ZONE	LTR	DESCRIPTION	DATE	APPROVED



WELDED PLATE

BACK PLATE

SUS304 P/N:3912703