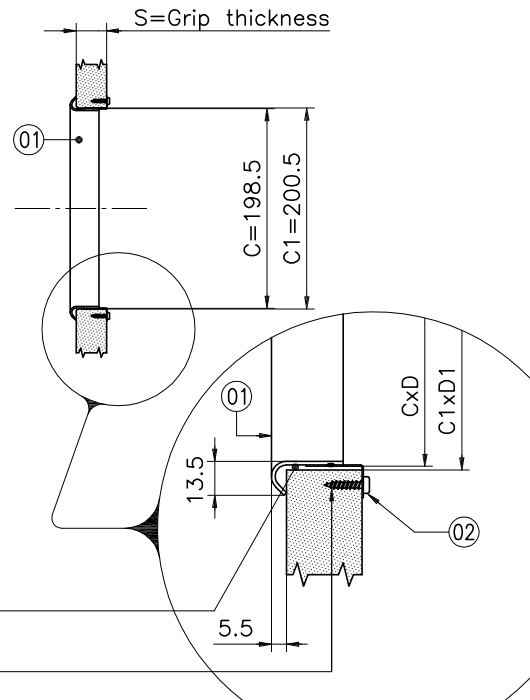
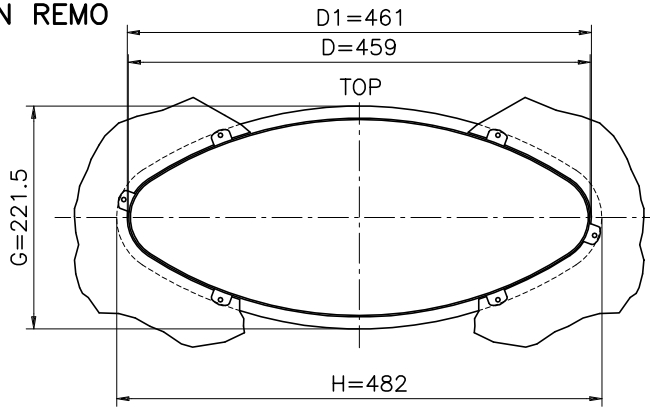


Use: -light elliptical portholes.

0 500 mm

SAN REMO



To seal with silicone during installation.

Screws not included in supply.

Collars E.L. 160x 420: A"13,5" strips LA.

S.S. 13,5 LA

	Code	CEL.202.00	CEL.002.02	CEL.012.02	
Specifications					
FOR HULL IN STEEL					
FOR HULL IN ALUMINIUM					
FOR HULL IN WOOD		●	●	●	
FOR HULL IN FIBERGLASS		●	●	●	
WITH "S" NOT BETWEEN 16 TO 30 (MAX "S" 68.5)		●			
WITH "S" BETWEEN 22 TO 30			●		
WITH "S" BETWEEN 16 TO 24				●	
THEORETIC WEIGHT	kg	0.55			(Referring to article as "Purchase order")

TECHNICAL CARD

POS.	DESCRIPTION	THICKNESS	MATERIAL	FINISHING	COLOUR	NOTES
01	Collar	mm 1.5	AISI 316 L	Hi-polished	-	Supply doesn't include installation.
02	Strip	mm 0.5	AISI 316 L	2B	-	

Example of purchase order:
CEL.202.00 PCS 20
S=14

* Eventual revisions can be brought by S.C.M. s.r.l. without any notice.

DI.00002.01

TEMPLATE