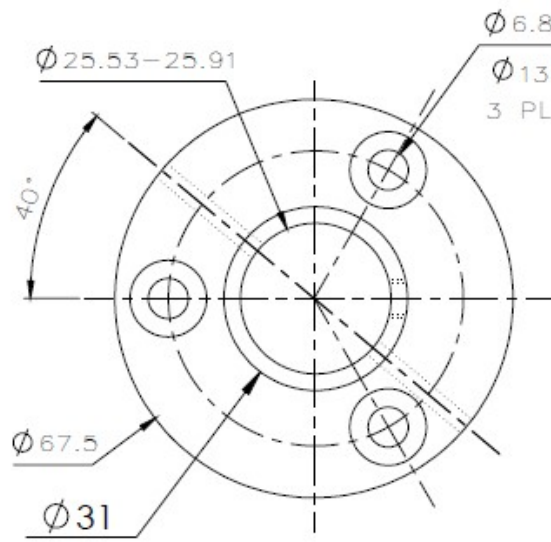
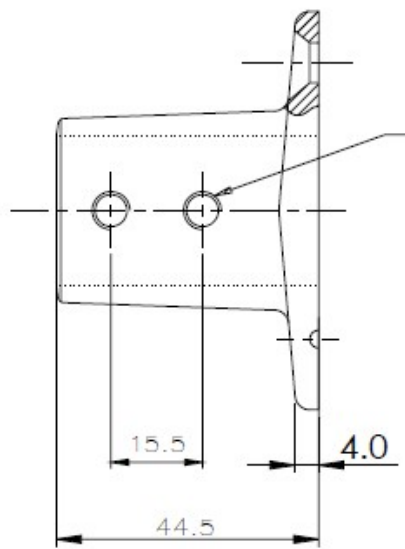


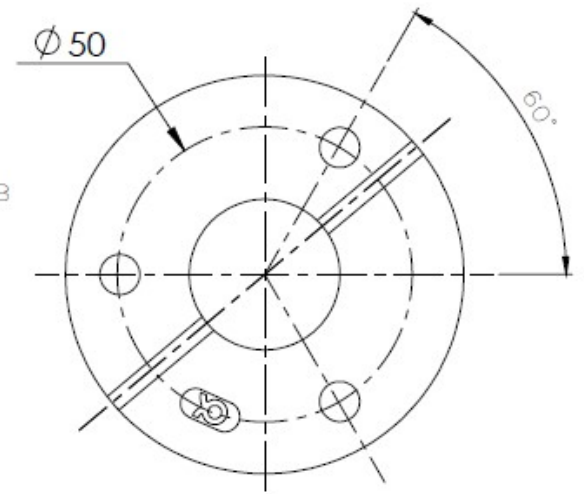
REV.	DESCRIPTION	DATE	DWG. BY	DATE	CHECK BY



$\phi 6.8$ THRU.
 $\phi 13.0 \times 80^\circ - 82^\circ$ C'SINK
 3 PLS.



$1/4-28$ UNF-2B
 2 PLACES



NOTE
 1. BREAK ALL SHARP EDGES
 2. POLISH FINISH

TOLERANCE	
<input checked="" type="checkbox"/> 0.X	± 0.5
<input checked="" type="checkbox"/> 0.XX	± 0.25
<input checked="" type="checkbox"/> 0.XXX	± 0.1
<input checked="" type="checkbox"/> ANGULAR	± 1.5

DRAWING BY : SUPAT P.		TITLE :			
DATE :		CUSTOMER :			
CHECKED BY :		CUSTOM			
DATE :		REV.	MOLD No.	MATERIAL	WEIGHT
APPROVED BY :		DWG No. :			SHEET
DATE :					1 OF 1
SCALE : NTS.					