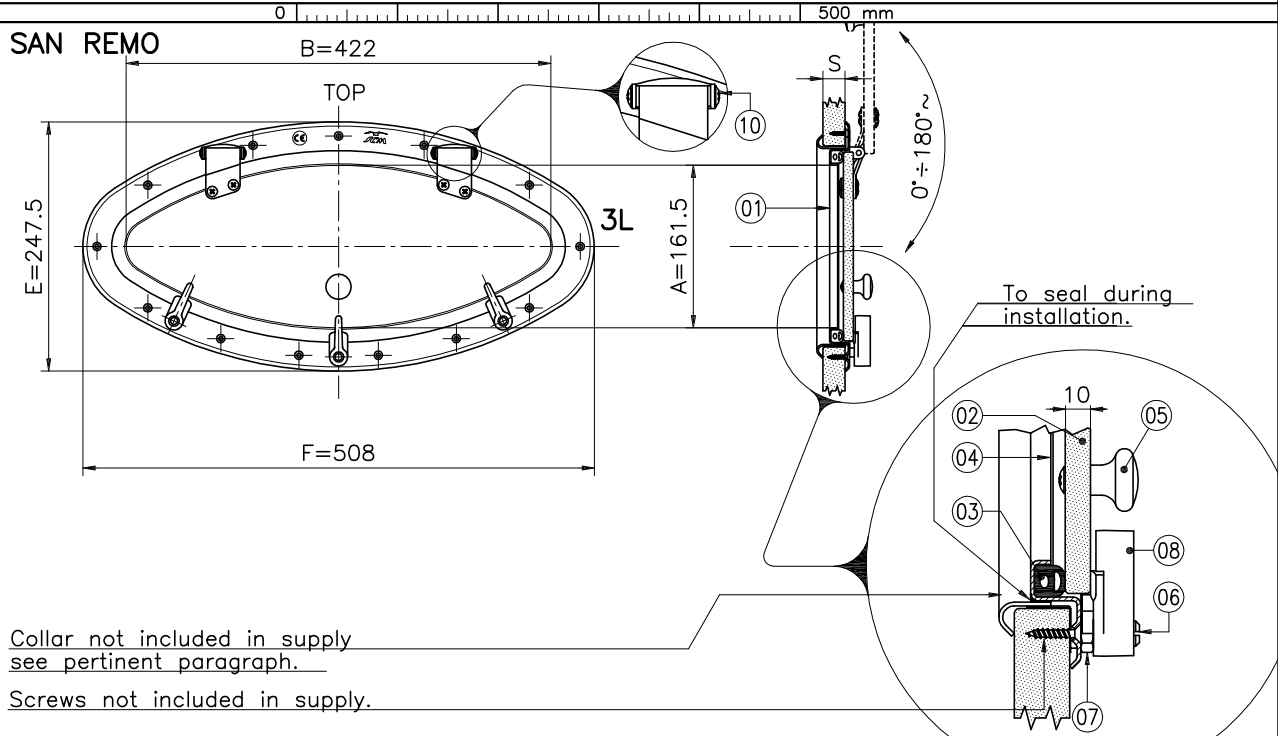


Use: -boats and ships within m 24.
-where ★ approvable by main registers of classification.



Collar not included in supply
see pertinent paragraph.

Screws not included in supply.

Portholes E.L. 160x 420: openable shutter, locking levers. S.S. LEVERS

	Code	OEL.B02.BB	OEL.B02.BG	OEL.B02.BV
Specifications				
WITH TWO LEVERS = 2L				
WITH THREE LEVERS = 3L	●	●	●	
WITH BRONZE SHUTTER	●			
WITH GREY SHUTTER		●		
WITH GREEN SHUTTER			●	
WITH MOSQUITO SCREEN	●	●	●	
ACRYLIC LIGHT	●	●	●	
THEORETIC WEIGHT kg	1.9	1.9	1.9	
CE MARKED (see application)	● #	● #	● #	
APPROVABLE	★	★	★	

TECHNICAL CARD

POS.	DESCRIPTION	THICKNESS	MATERIAL	FINISHING	COLOUR	NOTES
01	Base	mm 1.5	AISI 316 L	Hi-polished	-	Water-tight is guaranteed only if the porthole is fitted on a flat surface. Installation and any eventual approval are not included in the supply of goods.
02	Shutter	mm 10	PMMA	-	See code	
03	Seal	-	EPDM	-	Black	
04	Weft thread 0.22 Nr 18 (F.I.)	mm 0.3	PA	-	Grey	
05	Knob	-	PF	-	Black	
06	Lever screw	-	AISI 316	Hi-polished	-	
07	M8 nut	-	AISI 304	Hi-polished	-	
08	Lever	-	PA	-	Black	
10	Adjustable friction	-	POM/AISI 304	- /Hi-polished	-	

CE DIP74096/3 RINA
Legend applications range:
AREA I III IV MOTOR CRAFT CAT. B C D
AREA III IV MOTOR CRAFT CAT. A
AREA III IV SAILING CRAFT CAT. A B C D

Example of purchase order:
OEL.B02.BB PCS 20

* Eventual revisions can be brought by S.C.M. s.r.l. without any notice.

DI.00002.04

TEMPLATE