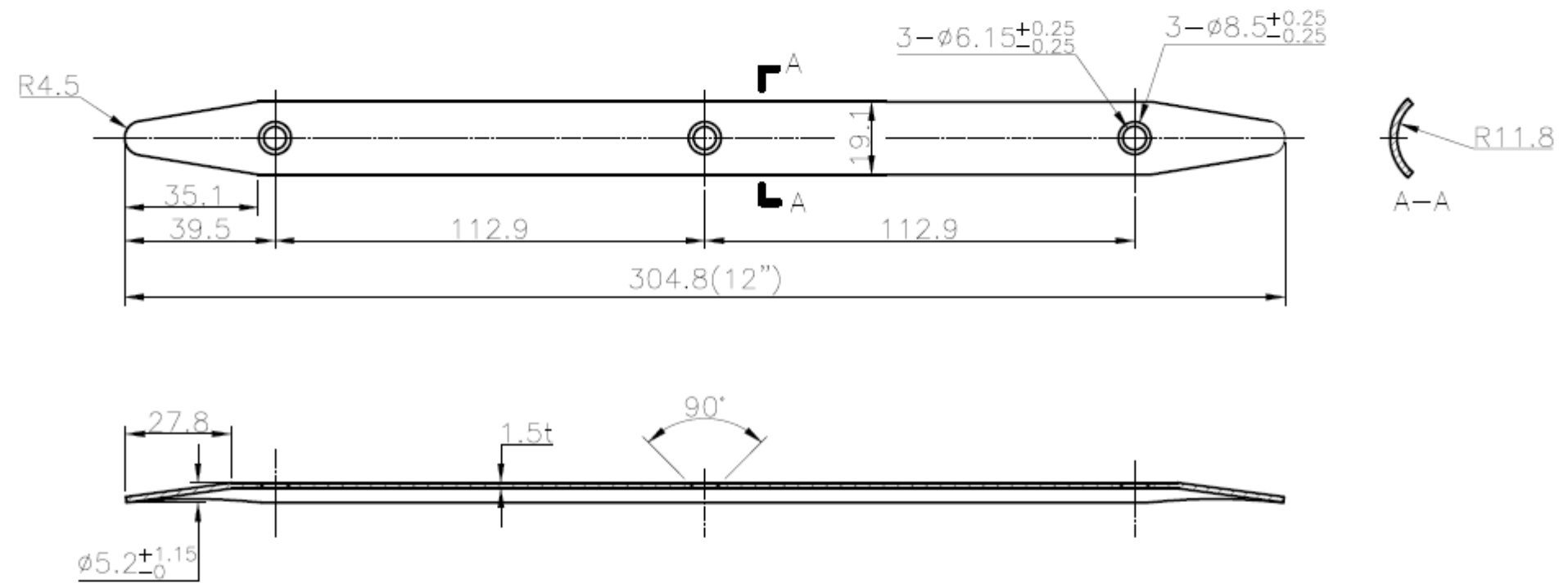


REVISIONS				
ZONE	LTR	DESCRIPTION	DATE	APPROVED



Unless otherwise specified, tolerances are:
 1. Wall Thickness = $\pm 5\%$
 2. Angles = $\pm 2^\circ$
 3. Profile dimensions fit : ISO JS13
 ★ INDICATES "CRITICAL TO QUALITY" DIMENSION
 REMOVE BURRS AND SHARP CORNERS 0.10-0.25

Rub Strake(12")			
Drawn:	Date: 06.02.14	M'TL: SUS316	Scale: 1:2
Checked:	Date:	Weight: g	Dimensions: M/M
Approved:	Date:	Finish:	DWG. NO.:
Projection:	A4H	SHEET OF	Customer's No.: 06.361.70

Ecn	Revisions	Description	Date	Revised